

## AIR CONDITIONER ACM 7 MK II

### FUNCTION

The ACM 7 MK II Air Conditioner is a transportable unit, developed primarily to provide air conditioning in temporary or transportable buildings or tents. The ACM 7 MK II is designed to be placed outside, with supply air and return air ducted either to one tent (1xØ315) or two tents (2xØ225).

The function of the ACM 7 MK II is based on a cooling circuit and two powerful centrifugal fans. The upper section contains the evaporator and evaporator fan, which draws warm ambient or recirculated air through the cold evaporator coil and supply the cooled air through the discharge into the room. The lower section of the unit houses the condenser fan and condenser coil, which return the heat taken from the cooled air to the surrounding atmosphere.

The standard version of ACM 7 MK II is equipped with an electric heating coil, to provide heating for example in night time when temperatures can fall under 20°C.

### FEATURES

- The ACM 7 MK II is built into a cabinet manufactured from 0,9 mm galvanized and powder coated steel sheet.
- Top finish painting is standard NATO green, RAL 6014.
- Can provide cooling at ambient temperatures up to +55°C.
- Environment-friendly R134a refrigerant.
- High/low pressure pressostat switch ensuring long compressor lifetime.
- 7.2 kW electric heating coil.
- Connect to the mains power supply or a separate diesel generator through a 15 m power cable with CEE plug.
- VENT-only option, allowing supply of fresh outdoor air or circulating the indoor air, even when cooling is not needed.
- Temperature control by a room thermostat placed inside the tent.
- Washable and easy removable coarse filters in front of internal air intake as well as in front of external air intake.
- Inlet and discharge openings for one Ø315mm insulated flexible duct, alternatively for two Ø225mm, thus allowing the air-conditioning unit itself to be set up outside. These ducts are extra accessories.
- Easy transportation, either by forklift, the four lifting hooks on top of the unit or with the two wheels.
- Setup and operation can be done by a single person.
- Removable wheels, which can be stowed on top of the unit
- CE-marked

### ACCESSORIES

- Remote thermostat with cable, 15 m
- Insulated, flexible air duct Ø315x3000 mm incl. bag
- Non insulated, flexible duct Ø315x5000 mm
- Non insulated, flexible air distribution duct Ø315x5000 mm
- Non insulated, flexible air distribution extension duct Ø315x2000mm
- Insulated, flexible duct Ø225x3000 mm
- Storage bag for insulated duct Ø225 mm
- Non insulated, flexible air distribution duct Ø225x6000 mm



ACM 7 MK II with 1xØ315 mm opening



ACM 7 MK II with 2xØ225 mm openings



## TECHNICAL DATA

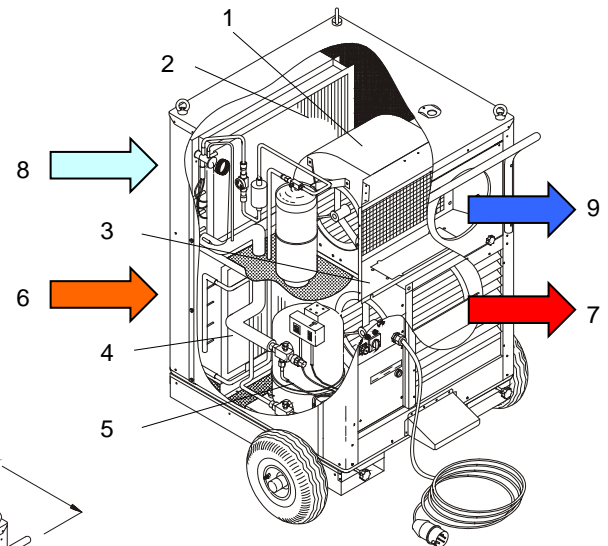
Nato Stock Number (without / with heating)		-	4120-22-608-4874
Operating range (cooling), ambient temperature	°C		20-55
Operating range (heating), ambient temperature	°C		-20-(+20)
Airflow, internal (free blowing)	m <sup>3</sup> /h		2500
Airflow, internal (with air distribution system)	m <sup>3</sup> /h		1800
Airflow, external	m <sup>3</sup> /h		2500
Max. cooling capacity*	kW/BTU		7,6/26000
Power supply plug (see picture below)	type		16A EE, 3P+N+E 400V, IP44
Cooling capacity @ 55/55°C 30% r.h.	kW/BTU		7,3/25000
Cooling capacity @ 35/35°C 30% r.h.	kW/BTU		6,1/21000
Heating capacity (with heating coil)	kW/BTU		7,2/25000
Power supply	V/Hz		3 x 400 / 50
Max. running current (cooling / heating)	A		7,2 / 13
Locked rotor amperage (LRA)	A		24
Generator requirement**	kVA		10
Max. power consumption (cooling / heating)	W		3700 / 7700
Refrigerant / quantity	kg		R 134a / 3.0
Filter material			PPI 15
Protection class	IP		X4
Flex. air duct connection	Ø mm		1x315 or 2x225
Noise level, 1,5 m distance	dB(A)		69
Weight	kg		190

\* The cooling capacity can change considerably depending on air temperature and humidity.

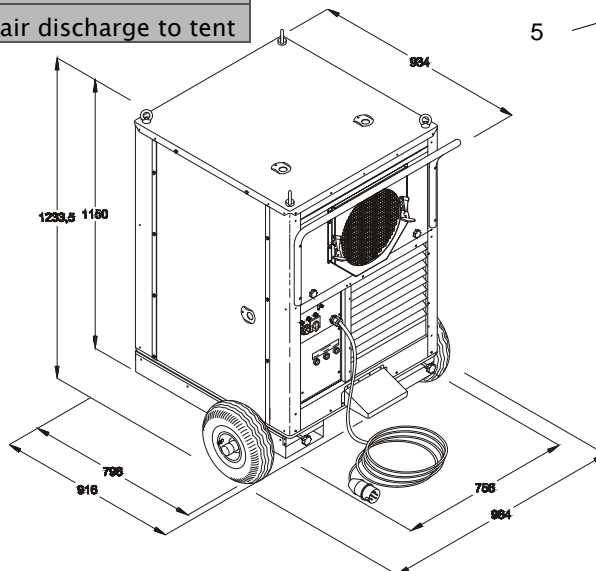
\*\* Generator with 300% start allowance

## UNIT COMPONENTS AND AIRFLOW

1	Internal fan
2	Evaporator
3	External fan
4	Condenser
5	Compressor
6	External air intake
7	External air discharge
8	Internal warm air intake
9	Internal cooled air discharge to tent



## DIMENSIONS



Dimensions in mm