

**TECHNICAL DATA**

**Air Conditioner**

Nato Stock Number w/o heat  
 Nato Stock Number with 8 kW heat and softstarter  
 Operating range, cooling  
 Operating range, heating  
 Airflow, internal, with ducts  
 Airflow, external  
 Nominal Cooling capacity\*  
 Heating capacity optional  
 Power supply  
 Power supply plug (see picture below)  
 Max. running current (cooling/heating)  
 Locked rotor amperage (LRA)  
 Power consumption cooling (tested)  
 Power consumption heating (tested)  
 Refrigerant / quantity  
 Filter material  
 Protection class  
 Flex. air duct connection  
 Noise level measured inside tent, 1m from tent wall  
 Weight (without accessories)

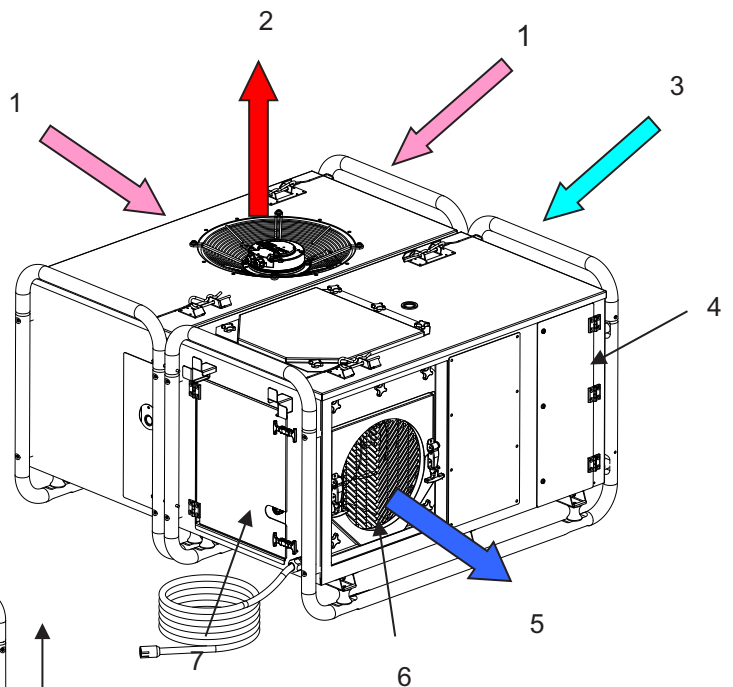
**AC-M11**

NSN	TBD
NSN	4120-22-622-8737
°C	20-60
°C	-32-(+20)
m³/h	1700
m³/h	3500
kW/BTU	11/38000
kW/BTU	8/27000
V/Hz	3x400 / 50
Type	16A CEE, 3P+N+E 400v, IP44
A	15 / 16
A	65,5
W	4200 (worst case 5600)
W	8800
kg	R 134a / 4,0
EN 779	G3 + optional
IP	X5
Ømm	315
dB(A)	55
kg	170

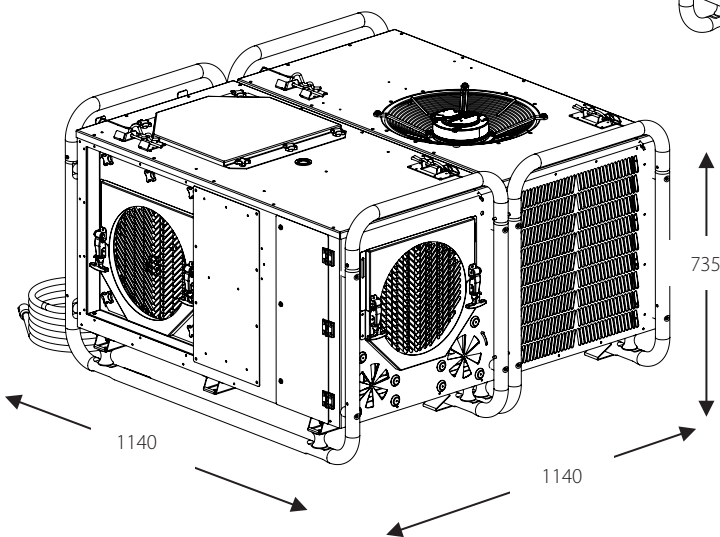
\*Performance varies with varying conditions.

**Unit components and airflow**

1. Condenser air intake
2. Condenser air discharge
3. Warm air intake
4. Dual filter system (optional)
5. Cooled air discharge
6. Duct coupling (Ø315mm)
7. Electric panel w. cover



**DIMENSIONS**



Dimensions in mm.



Power supply plug.