

**TECHNICAL DATA**

**Air conditioner**

Nato Stock Number w/o heat  
 Nato Stock Number with 6/16 kW heat and softstarter  
 Operating range, cooling  
 Operating range, heating  
 Airflow, internal, with ducts  
 Airflow, external  
 Cooling capacity\*  
 Heating capacity optional  
 Power supply  
 Power supply plug (see picture below)  
 Max. running current (cooling/heating)  
 Locked rotor amperage  
 Max. power consumption (cooling/heating)  
 Refrigerant  
 Refrigerant connection hoses stainless steel  
 Filter material  
 Protection class  
 Flex. air duct connection  
 Noise level, 1m distance from evap. inside tent  
 Weight (without accessories evap/cond)

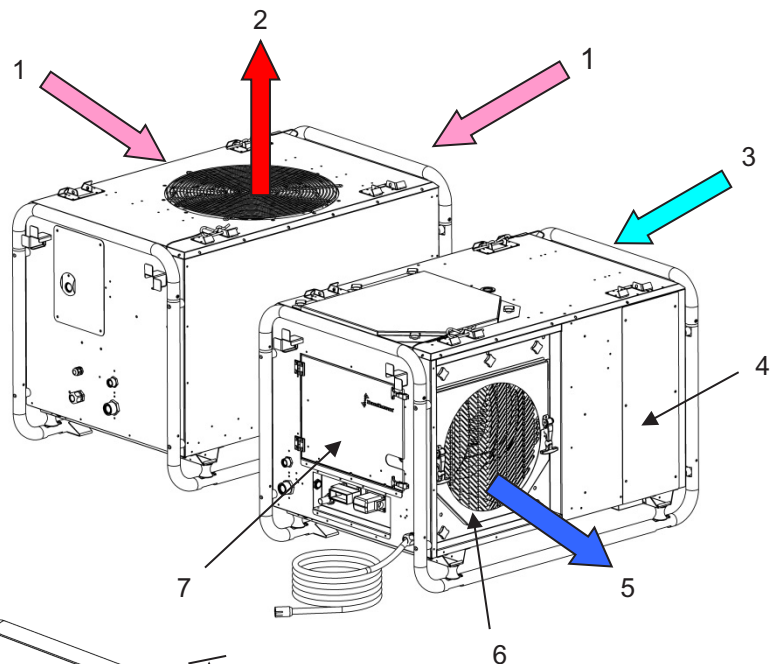
**AC-M18 CBRN**

NSN	4120-22-618-1245
NSN	4120-22-615-5383
°C	20-60
°C	-32-(+20)
m³/h	2500
m³/h	5600
kW/BTU	17,5/60000
kW/BTU	16/20 / 55000/68000
V/Hz	3x400 / 50
type	32A CEE, 3P+N+E 400V, IP44
A	16 / (dependent on heating capacity)
A	70
W	8300
	R 134a
m	5
EN 779	G3 + optional
IP	X5
Ømm	400
dB(A)	54
kg	137/104

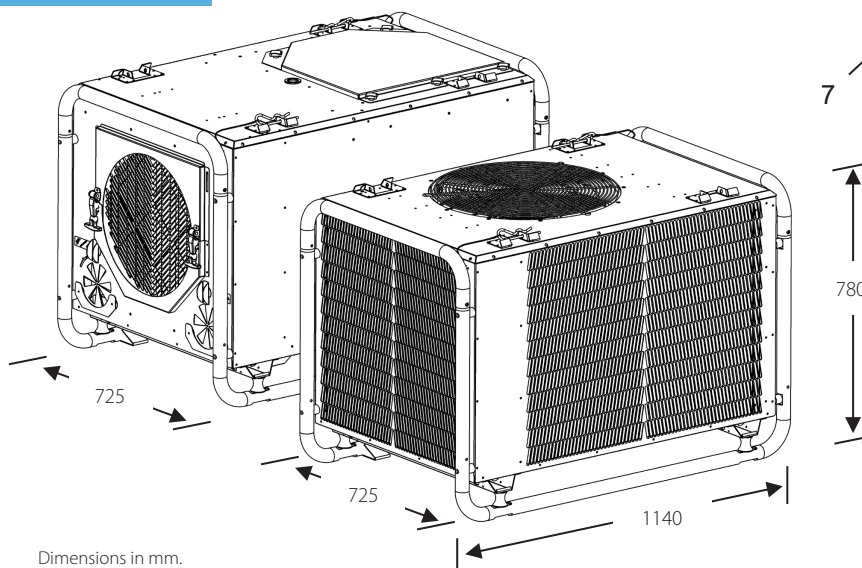
\*Performance varies with varying conditions.

**Unit components and airflow**

1. Condenser air intake
2. Condenser air discharge
3. Warm air intake
4. Dual filter system (optional)
5. Cooled air discharge
6. Duct coupling (Ø400mm)
7. Electric panel w. cover



**DIMENSIONS**



Dimensions in mm.



Power supply plug.