

TECHNICAL DATA

Air conditioner

Nato Stock Number w/o heat
 Nato Stock Number with 6/16 kW heat and softstarter
 Operating range, cooling
 Operating range, heating
 Airflow, internal, with ducts
 Airflow, external
 Cooling capacity*
 Heating capacity optional
 Power supply
 Power supply plug (see picture below)
 Max. running current (cooling/heating)
 Locked rotor amperage
 Max. power consumption (cooling/heating)
 Refrigerant
 Refrigerant connection hoses stainless steel
 Filter material
 Protection class
 Flex. air duct connection
 Noise level, 1m distance from evap. inside tent
 Weight (without accessories evap/cond)

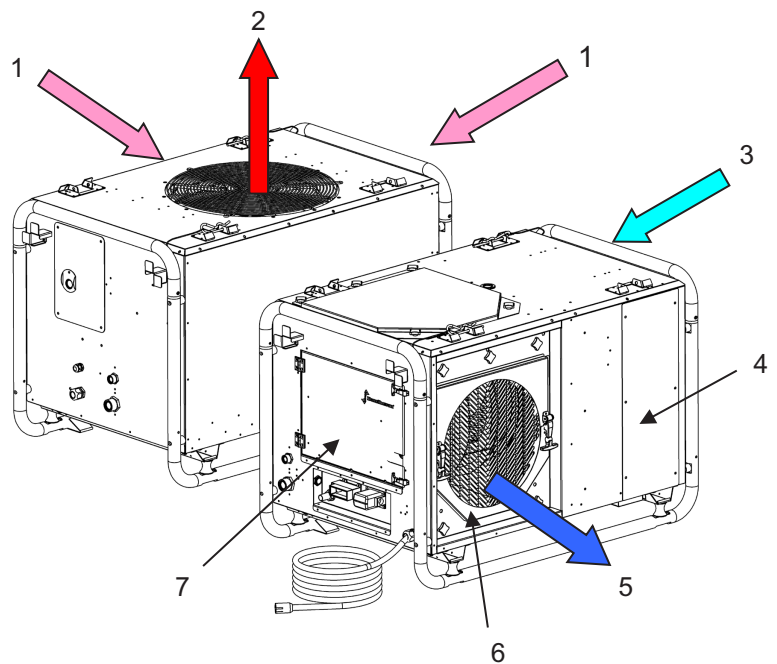
AC-M18 CBRN WITH HEPA FILTER UNIT

NSN 4120-22-618-1245
 NSN 4120-22-615-5383
 °C 20-60
 °C -32-(+20)
 m³/h 1800
 m³/h 5600
 kW/BTU 17,5/60000
 kW/BTU 16/20 / 55000/68000
 V/Hz 3x400 / 50
 type 32A CEE, 3P+N+E 400V, IP44
 A 16 / (dependent on heating capacity)
 A 70
 W 8300
 R 134a
 m 5
 EN 779 G3 + optional
 IP X5
 Ømm 400
 dB(A) 54
 kg 137/104

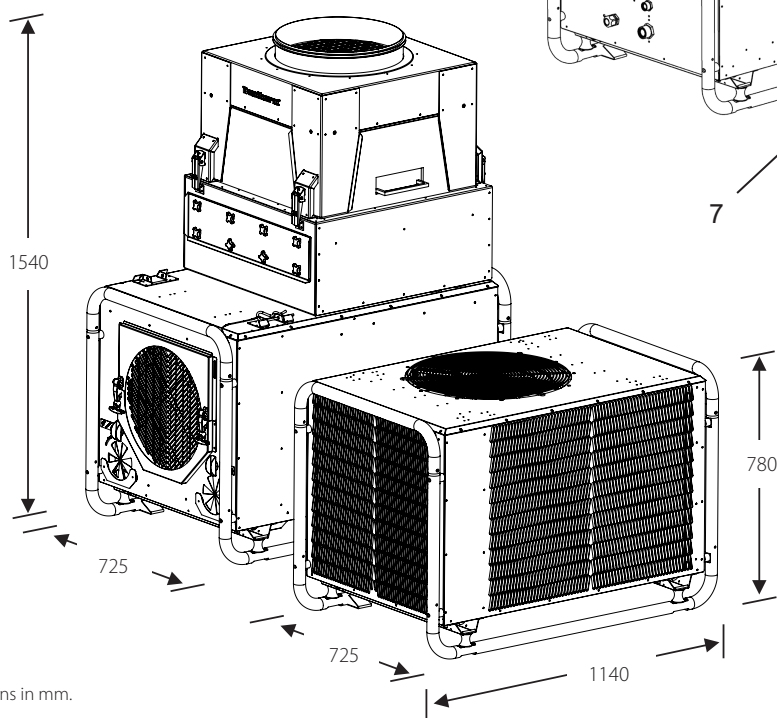
*Performance varies with varying conditions.

Unit components and airflow

1. Condenser air intake
2. Condenser air discharge
3. Warm air intake
4. Dual filter system (optional)
5. Cooled air discharge
6. Duct coupling (Ø400mm)
7. Electric panel w. cover



DIMENSIONS



Dimensions in mm.



Power supply plug.