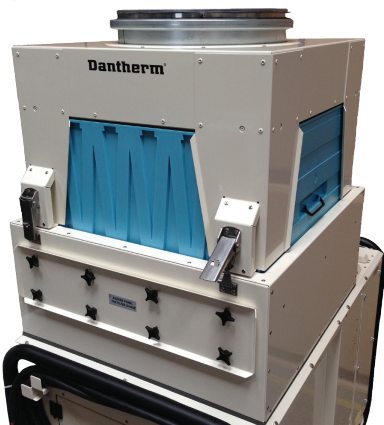




The HEPA filter unit is mounted on top of the AC-M18 CBRN



The HEPA filter unit stand alone

**HEPA FILTER UNIT**

As a supplement to the AC-M18 CBRN aircon, a HEPA filter unit is available for use in clean room solutions. The HEPA filter unit can be fitted with different kinds of filters, depending on the actual requirements. Various filter types are available.

The HEPA filter unit is for external installation and it is mounted on top of the AC-M18 CBRN evaporator side, over the upper supply opening. The HEPA filter unit is designed for clean room solutions, such as field hospitals and workshops for sensitive equipment.

Up to four filters can be used in the air stream when mounting a HEPA filter unit on top of the AC-M18 CBRN (2 + 2 filters).

Besides the clean room advantage, the HEPA filter unit also offers a reduction of the internal fan noise from the aircon of 3 dB (1m distance).

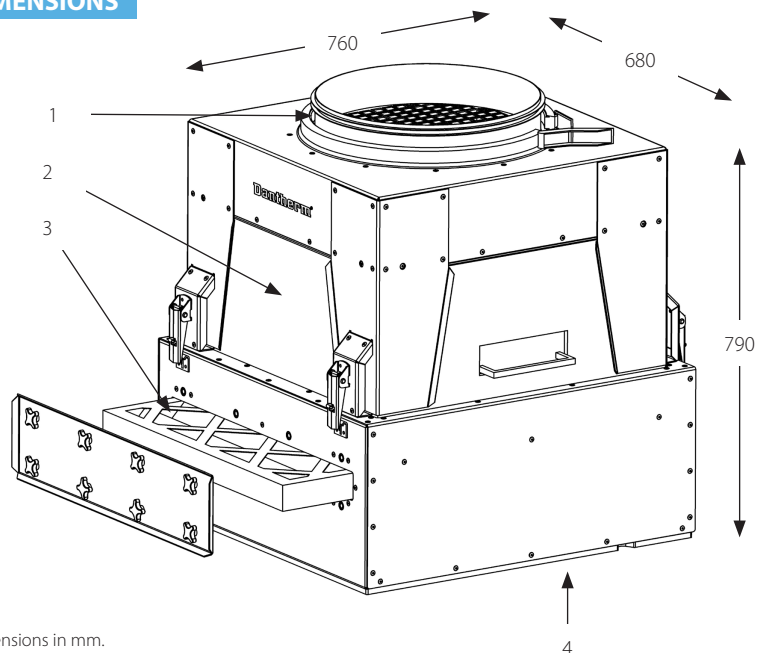
**TECHNICAL DATA**

Nato Stock Number	NSN	5670-22-627-5445
Flex. air duct connection	Ømm	400
Weight (with HEPA and pre-filter)	kg	38
Dimensions LxWxH	mm	760x680x790

**Components and airflow**

1. Duct coupling (400 mm)
2. HEPA filter
3. Filter options (pre-filter)
4. Air intake from AC-M18 CBRN

**DIMENSIONS**



Dimensions in mm.