



Transport mode



Stand-by position



Wheels can be mounted without the use of tools

TROLLEY WITH WHEELS

Function

A wheel kit is available as a basic add-on-solution which can be fitted to the air conditioners AC-M11, AC-M18 and AC-M18 CBRN on site without using any tools.

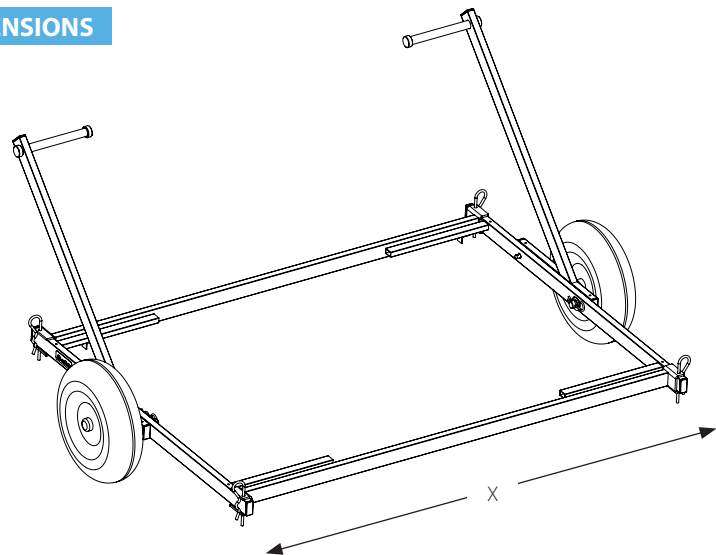
Two cross bars are slid under the unit and the wheels are mounted on the two sides. Easily accessible handles lift the unit to "transport mode" and the ECUs can be transported and moved to the optimal position by only one person.

Moving the handles back to "start position" lifts the two wheels from the ground and the unit finds a stable and secure position.

In situations and sites where no forklift is available, the wheel solution enables rapid and easy deployment of the environment control systems.

The wheels are of a soft and solid PU material and guaranteed punctureproof.

DIMENSIONS



| | X |
|---|------|
| AC-M11 | 1610 |
| AC-M18 | 1830 |
| AC-M18 CBRN (condenser/evaporator part) | 1100 |